

M12 male 0° / RJ45 90° left shielded Ethernet

PUR 2x2xAWG22 shielded gn UL/CSA+dragchain 2m

Ethernet CAT5

The resistance to aggressive media should be individually tested for your application. Further details on request.

Male straight – male 90° left

M12 – RJ45, 4-pole

D-coded

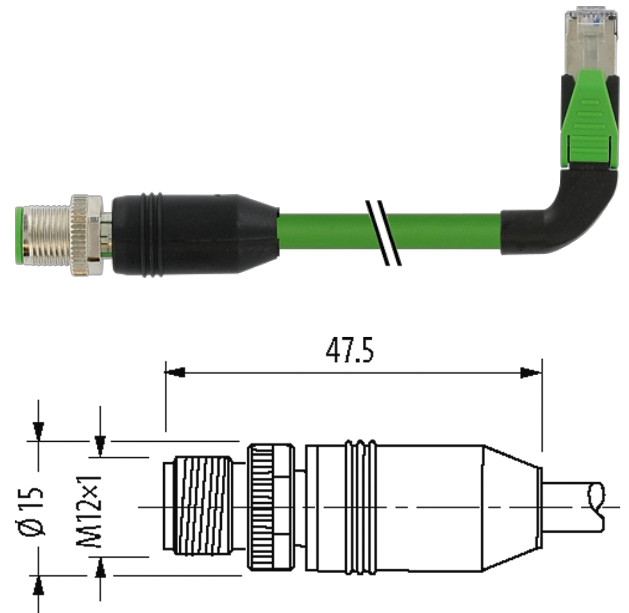
shielded

8-pole partly used

Transmission properties with channel transmission up to 100 m

Further cable lengths on request.

Plastic housings with good resistance against chemicals and oils.

[Link to Product](#)**Illustration**

Product may differ from Image

More Info

EtherNet/IP



Form

Form 44747

General data

| | |
|-------------------|------------------------------------------|
| Standards | DIN EN 61076-2-101 (M12) |
| Pollution Degree | 3 |
| Temperature range | -25...+85 °C, depending on cable quality |

Cables

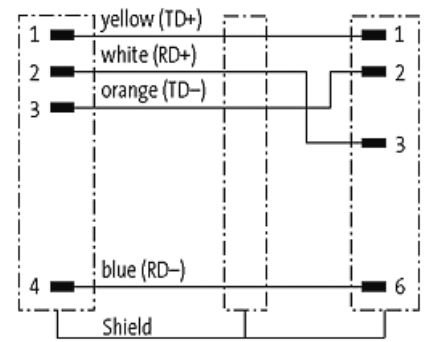
| | |
|---------------------------------|--------------------------------------------------------------------------------------------------------------|
| No./diameter of wires | 2 × 2 × 0.34 mm ² |
| Wire isolation | PE (wh, ye, bl, or) |
| C-track properties | 3 Mio. |
| Jacket Color | green |
| Material (jacket) | PUR (UL/CSA) |
| Outer Ø | 6.7 mm ±5% |
| Bend radius (moving) | 12× outer Ø |
| Temperature range (fixed) | -40...+80 °C |
| Temperature range (mobile) | -30...+70 °C |
| Cable identification | 796 |
| Approval (cable) | UL (AWM-Style 20233/11602), CSA; CE |
| Cable weight [g/m] | 69,3 |
| Material (wire) | Cu wire, bare |
| Resistor (core) | max. 55 Ω/km (20 °C) |
| Diameter (core) | 2 × 2 × AWG22 |
| Material (wire isolation) | PE |
| Wire-Ø incl. isolation | 1.4 mm ±5% |
| Color/numbering of wires | wh, ye, bl, or |
| Shield | yes |
| | min. 85% |
| Material (jacket) | PUR |
| Outer-Ø (jacket) | 6.7 mm ±5% |
| Color (jacket) | green |
| thermal resistance | flammwidrig nach UL 1581 Section 1060 (FT1), Section 1061 (cable flame), Section 1080 (VW-1) / IEC 60332-1-2 |
| Nominal voltage | 300 V |
| Temperature range (fixed) | -40...+80 °C |
| Temperature range (mobile) | -30...+70 °C |
| Bend radius (fixed) | 5 × outer Ø |
| Bend radius (moving) | 12 × outer Ø |
| No. of bending cycles (C-track) | max. 3 Mio. (25 °C) |
| Traversing distance (C-track) | max. 5 m (horizontal) |
| Travel speed (C-track) | max. 3.3 m/s |
| Acceleration (C-track) | max. 2 m/s ² |

Technical Data

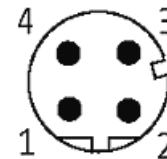
| | |
|-------------------------------|------------------------------------------------------------------|
| Operating voltage | max. 60 V DC |
| Operating current per contact | max. 1.5 A (20 °C) |
| Rated surge voltage | 1.0 kV |
| Material group | IEC 60664-1, category I |
| Transfer parameters | CAT5, Class D (ISO/IEC 11801:2002), (EN 50173-1) |
| Transfer rate | up to 100 Mbit/s full duplex |
| Coding | M12, D-coded |
| Protection | IP20/IP67 |
| Locking of ports | Screw thread (M12×1 mm) recommended torque 0.6 Nm, self-securing |
| Compression gland | M12 (SW13) |
| Locking material | Zinc die casting, matte nickel plated |
| Material | PUR |

Commercial data

| | |
|-----------------------|---------------|
| country of origin | DE |
| customs tariff number | 85444210 |
| EAN | 4048879679572 |
| eClass | 27061801 |
| Packaging unit | 1 |

Sketch

Male



Male



Product may differ from Image